

➤ A M Q E L) R O Q M A G C C
➤ 3 (E
➤ 1 -
➤) C I
➤ 2 , (P F H
➤
➤

➤
➤
➤
➤
➤
➤
➤
➤

➤
➤
➤
➤
➤
➤
➤
➤
➤
➤
➤
➤
➤
➤

N f_ 4=bc [



0	NB YL	Ch	
0	NB YL	Ch	
0	NB YNE	I	
0	NB YNE	I	
.	NB YLE	Ch	
.	NB YLE	Ch	
.	NB YNE	I	
.	NB YNE	I	
,	NB YLE	Ch	
,	NB YLE	Ch	
,	NB YNE	I	
,	NB YNE	I	
-	NB YL Y=FEYH	Ch	
A -	NB YL Y=FEYJ	Ch	

b_h_ Ji /0(/GB ___h]_]fi)e
FP Mf_fCh (

N f / 4 = C

S	J YQ E	I	Q E ah[f ch Ch J=C
S,	J LMNYH	Ch	J=C [h]b i hi
N	J YL Y=FEYJ	Ch	J=C GB ___h]_]fi)e
O	J YL Y=FEYH	Ch	
P.	J YNR YJ Y	I	=GF c ___h]qf ah[f J=C _ JBS
Q.	J YNR YHY	I	c ___h]qf [c (
.	J YLR YJ Y	Ch	
.	J YLR YHY	Ch	
P 0	J YNR YJ Y	I	
Q 0	J YNR YHY	I	
0	J YLR YJ Y	Ch	
0	J YLR YHY	Ch	
P 2	J YNR YJ Y,	I	
Q 2	J YNR YHY,	I	
2	J YLR YJ Y,	Ch	
2	J YLR YHY,	Ch	
P	J YNR YJ Y-	I	
Q	J YNR YHY-	I	
	J YLR YJ Y-	Ch	
	J YLR YHY-	Ch	
P ,	J YNR YJ Y	I	
Q ,	J YNR YHY	I	
,	J YLR YJ Y	Ch	
,	J YLR YHY	Ch	
P .	J YNR YJ Y/	I	

J-	F H YAJD Y/		
H/	F H YAJD Y0		
J	F H YAJD YI		
J.	F H YAJD Y		
J/	F H YAJD Y		
L.	F H YAJD Y,		
L,	F H YAJD Y-		
L-	F H YAJD Y.		
N	F H YAJD Y/		
L/	F H YAJD Y0		
N	F H YAJD YI		

N f₃GHAYAJD

L,	GHAYAJD Y	c c	Ohc _ [fch [h i dh i dh_h[f_g _ _
L 3	GHAYAJD Y		=JO c hi _][h_f_ h]ihh] _ (
J 2	GHAYAJD Y,		
J 3	GHAYAJD Y-		
L,,	GHAYAJD Y.		
J,,	GHAYAJD Y/		
H 2	GHAYAJD Y0		
J,	GHAYAJD YI		

N f₄H=MC

N,	LG CYNR Y	I	H=MC [h g c [[
L 2	LG CYNR Y		
O,	LG CYNRY H	I	N[h g c h[f
P,	LG C=MLY P	Gh	= [c Mh)L] c _ [[P[fc
P,,	LG CYL Y=FE	Gh	H=MC _ h]]fi)e
O,,	LG CCLR Y	Gh	H=MC]_c _ [[
N	LG CCLR Y		

N f₄CCG D

L,	G CCG	c c	C H=MC c]ihh] _ i JBS bc Gh _ []_c _ i
N	G CCG =	I]ih if b_JBS i b _ c _ c hi]ihh] _ _ [f(

N f₅, C=

,	C= YMF	c c	C= Gh _ []_ i f[_ gi f_]ih ca [dh Gh A JBS
-	C= YM		

A-	Ⓒ YM		
	Ⓒ YMF		

N f_ -G I

O	G Y=FE	I	O _ i]h if_ _h[fJBS c M c da _ _h[fJBS (
P,	G YI	c c	
O-	G Y=FE	I	
N	G YI	c c	

N f_ .GHAMG

D	GHAYⒸY N	I	MG i ih]bc =JO
E	GHAYⒸYMG F LNH	I	
E-	GHAYⒸYMG MDMH	I	
E/	GHAYⒸY=FE	I	

N f_ /4 i _

,,	JL Y H	Ⓒ	N_ da Ⓒh[f(Nb_ [_hi _ Ⓒ hi g[f i _[Ⓒh (
,	JL YBCN	I	
H,	JL Y=FEI ONJON		
H,,	JL Y N Y		
H,	JL Y N Y		
G 3	JL Y N Y,		
G,	JL Y N Y-		
G 2	JL Y N Y.		
G,,	JL Y N Y/		
F 2	JL Y N Y0		
G,	JL Y N Y1		
F,	JL Y N Y2		
F,,	JL Y N Y3		
F 3	JL Y N Y		
E,	JL Y N Y,		
E,,	JL Y N Y,		
E,	JL Y N Y-		
D,	JL Y N Y.		
E 2	JL Y N Y/		
D	JL Y N Y0		
D3	JL Y N Y1		
D	JL Y N Y2		
D2	JL Y N Y3		



NETSWIFT
网迅科技





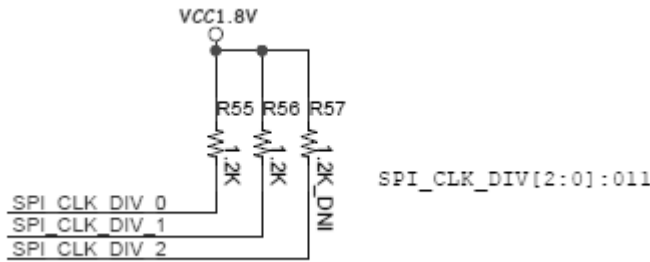
<p>Q1 S1 1 1 =2 2 A2 F2 H2 O2 S2 3 3 =3 3 3 E3 G3 J3 P3 Q3 S3 3 3 = A D F H N O S = E G J L P Q S = , , D, F, H, N, O, S, - - = - - - E - G - J - P - Q - S - - - = . . A . D . F . H . O . S . / / = / / / E / G / J / L / O / P / Q / S / / / = 0 0 B 0 L 0 O 0 S 0 1 1 = 1 1 1 1 A 1 B 1 L 1 N 1 O 1 P 1 Q 1 S 1 1 1 = 2 2 N 2 O 2 S 2 3 3 = 3 3 3 A 3 E 3 H 3 N 3 P 3 Q 3 S 3 3 3 , , B, F, J, O, , , , , , ,,</p>		
<p>E2 D F3 E D F E, D- F- E. D/ F/</p>	<p>P Y Y J3</p>	<p>Ji f i cac[f (3P(Cg _[f [I H(</p>
<p>G2 J2 H3 G J H G, J, H- G. J. H/</p>	<p>P G Y Y J3</p>	<p>Ji f i cac[f (3P b[][h _ b i h fi i _ [_ (</p>
<p>D</p>	<p>P M Y Y J3</p>	<p>A i h i [h[fi a (3P</p>
<p>D E0 F0 G0 H0 J0 D1 E 1 F 1 G 1 H 1 J 1</p>	<p>P M Y Y J2</p>	<p>A i h i cac[f (2P</p>



Table with 8 empty columns and 1 row.

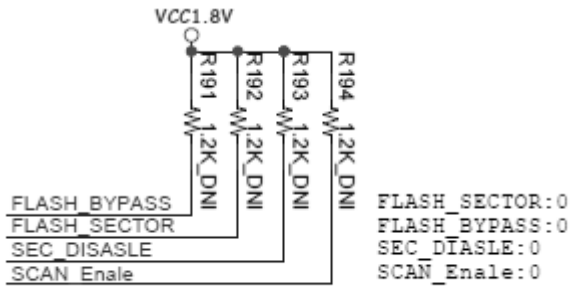
M =FEYNMYM FY =FEYNMYM FY =FEYNMYM FY, =FEYNMYM FY-
]feY Y_fU4 W F H /0{/GBT

M MCY=FEY QY MCY=FEY QY MCY=FEY QY,
MCY=FEY QY U4 W MC f l b - (/GBT



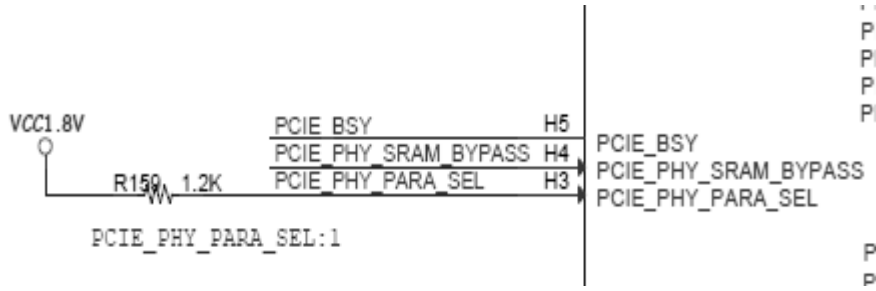
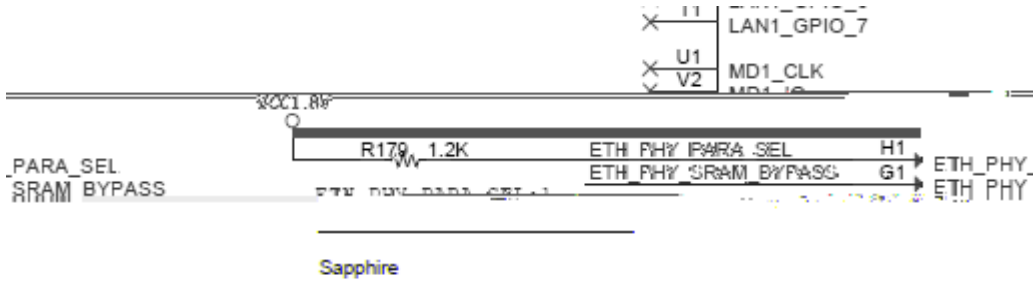
M N MNYGI Y N MNYGI Y N MNYGI Y, N MYMF
_Yg i _U 4 W _ Y_f7

M F MBY SJ MM SJ MM
F MBYM=NI L M=Y CM M F JFFY SJ MM M=YGI



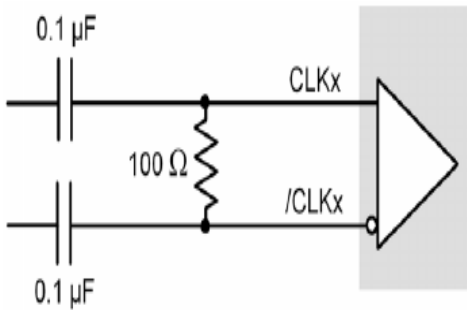
M DN AYM FU 4 W DN A

M NBYJBS YJ L YM F J=C YJBS YJ L YM F



M J=C YJBS YML GY SJ MM NBYJBS YML GY SJ MM F H Y CMH
 F H, Y CMH
 M NB YL ML NB YL ML J YJBS YL ML J YJBS YL ML

NB YL Y=FEYJ NB YL Y=FEYH /0G /GBT
 NB YL Y=FEYJ NB YL Y=FEYH /0G /GBT (2P
 FP M = = FP M
 NB YL Y=FEYJ NB YL Y=FEYH NB YL Y=FEYJ NB YL Y=FEYH
 =

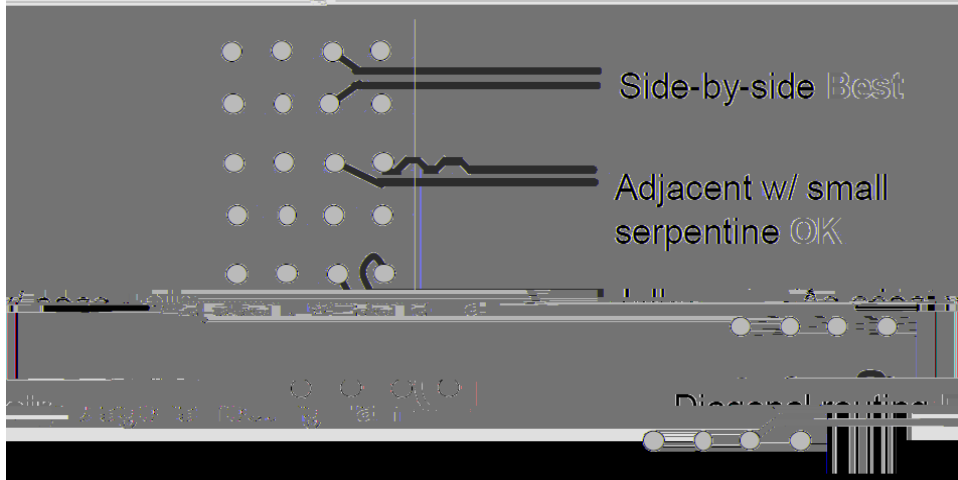


SP1000A

	<input type="checkbox"/>
	<input type="checkbox"/>

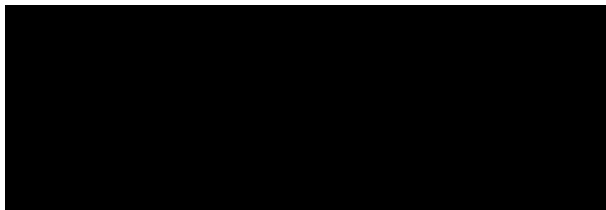
-
-
-
-
-

■ Avoid tight bends



•

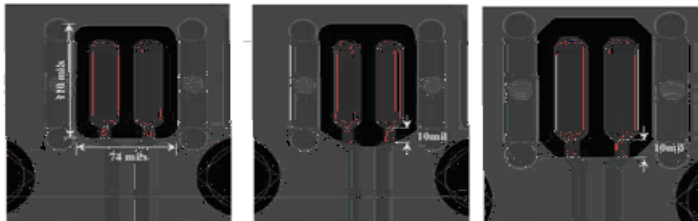
•

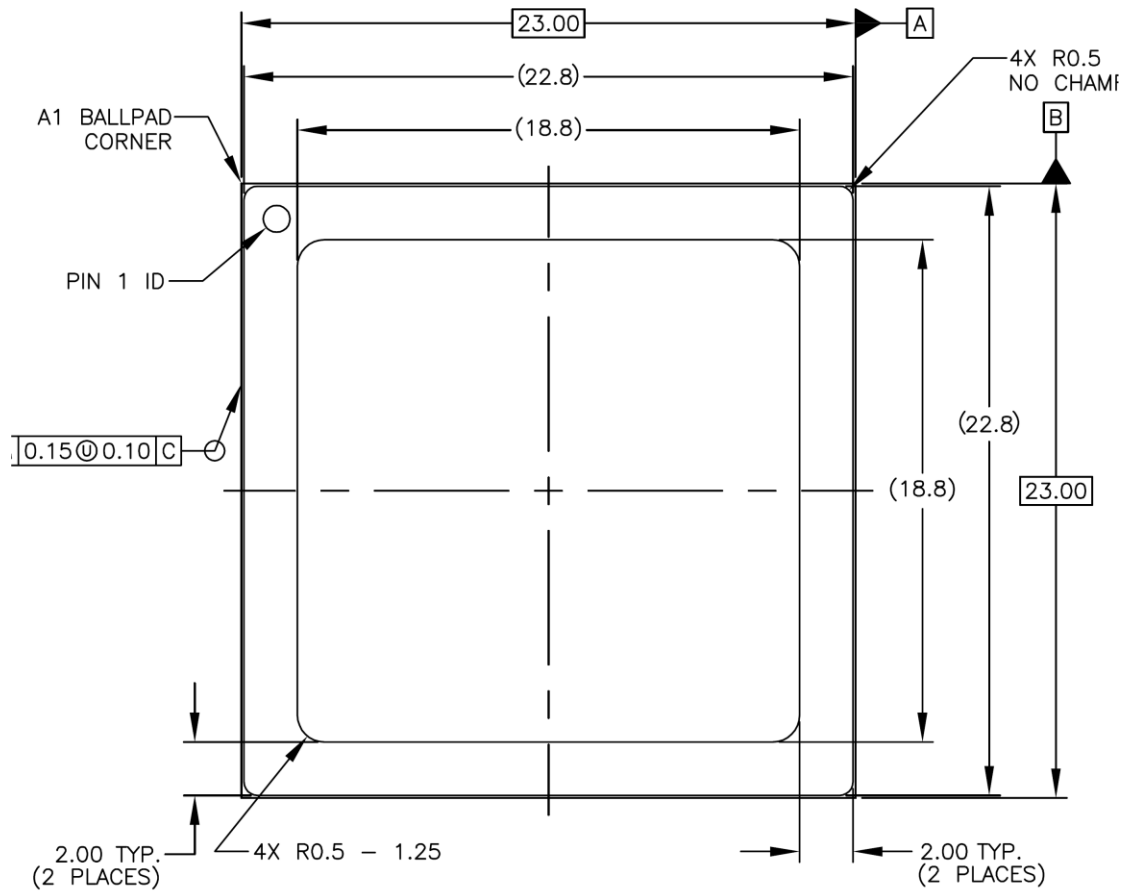


•

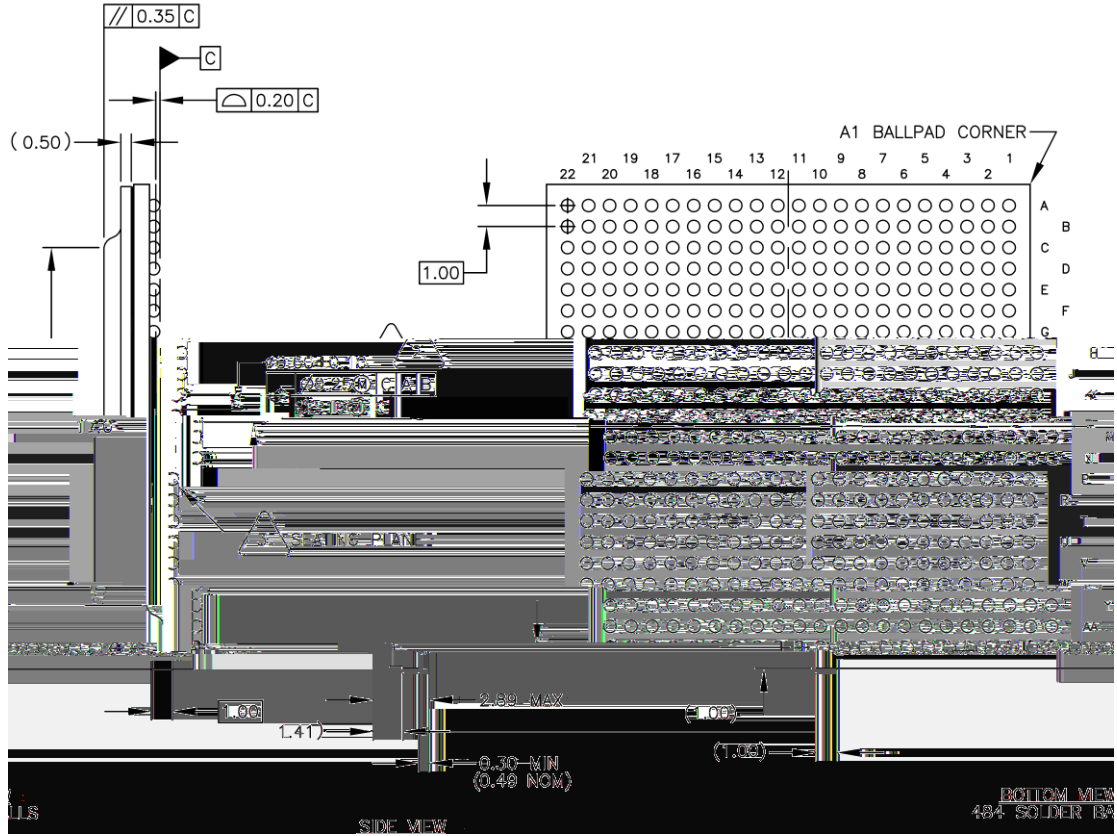
•

•





TOP VIEW



№ , /